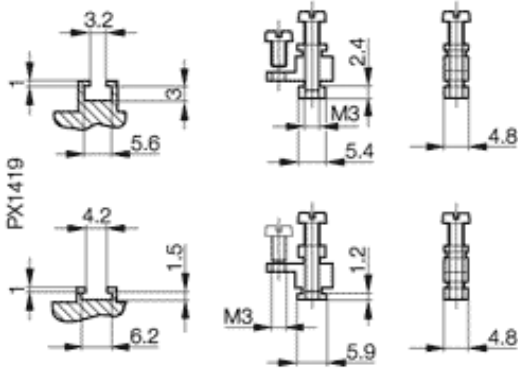


Accessories: Mounting unit BMF 305-HW-26



Common Data

Version
Usable with

Bracket
with BMF 305-..for Pneumatic
cylinders with T-slot e.g. SMC

Mechanical Data

Measurements WxHxD or Dia x D
Material
Weight
Mounting

13.5x11x4.8
Aluminium
2,5
fixed with screw M3x4

Datasheet number::

Definitions see general catalog.
If not otherwise noted, ratings according to
IEC 60947-5-2 (DIN EN60947-5-2)

Balluff GmbH
Schurwaldstrasse 9
73765 Neuhausen a.d.F.
Phone (07158) 173-0 Fax (07158) 5010

Datenblatt by CD-ROM - 04/2007

BALLUFF
sensors worldwide